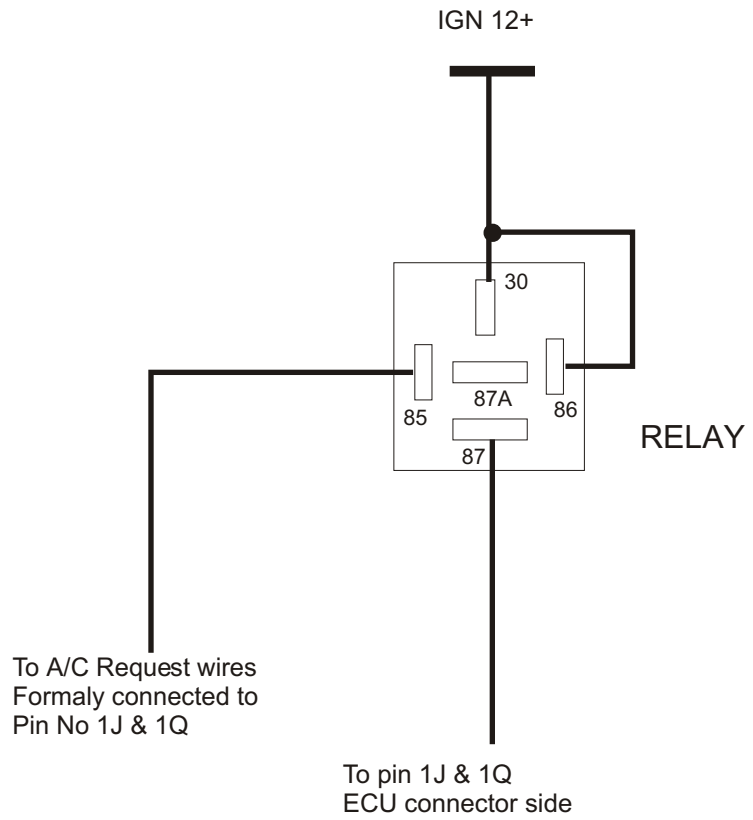
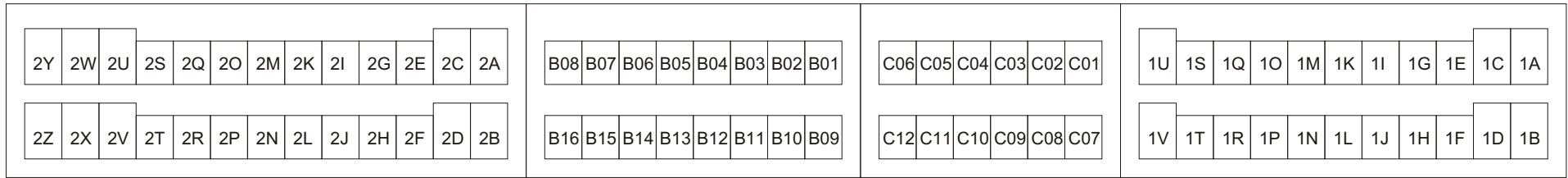


Mx5 upto 95 V4 PLUGIN ECU PINS - MALE PIN VIEW



Note

Cut and join wires 1J & 1Q on engine side of loom ,
 Fit terminal and fit to relay pin No 85. Join th two
 remaining wires together and join to relay pin No 87.
 Join a wire from the power feed into the wolf Pin 1B
 to the relay pin No30, Also creating a loop from this
 pin to relay pin No 86

NOTE
 Pins C1-C12 & B1-B16 are not in a standared loom