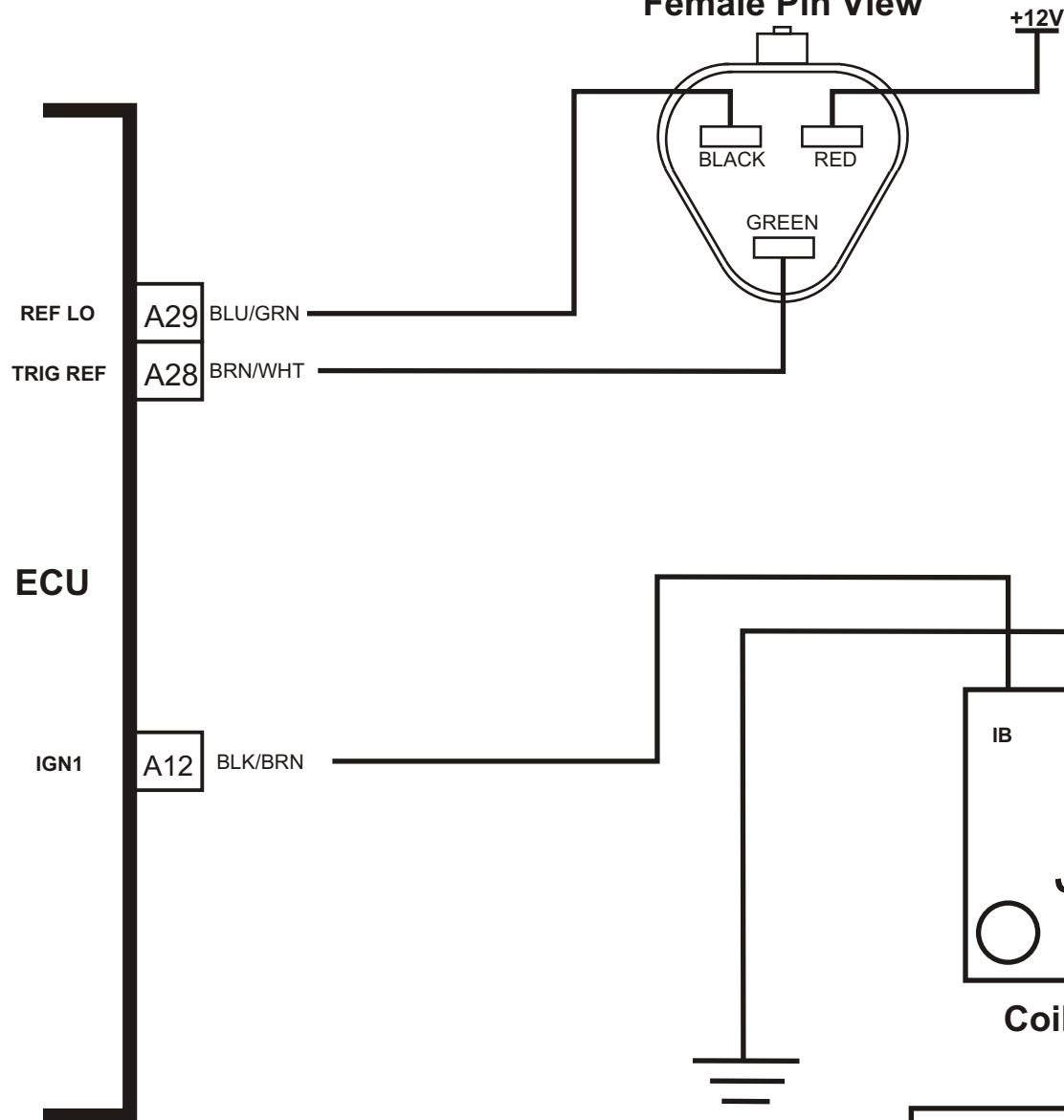
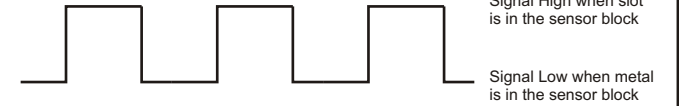


DISTRIBUTOR SENSOR Female Pin View



NOTE:

The Waveform from the sensor looks like this:



When using a Wolf3D V3, V4 or V400 ECU you will need a 1K pull-up resistor between the sensor signal and the Wolf +5V output.

Suzuki 3 Cyl 540cc Twin Cam

Date: 14/5/08

Rev 001

Page 1 of 1

WOLF
VS00 ECU